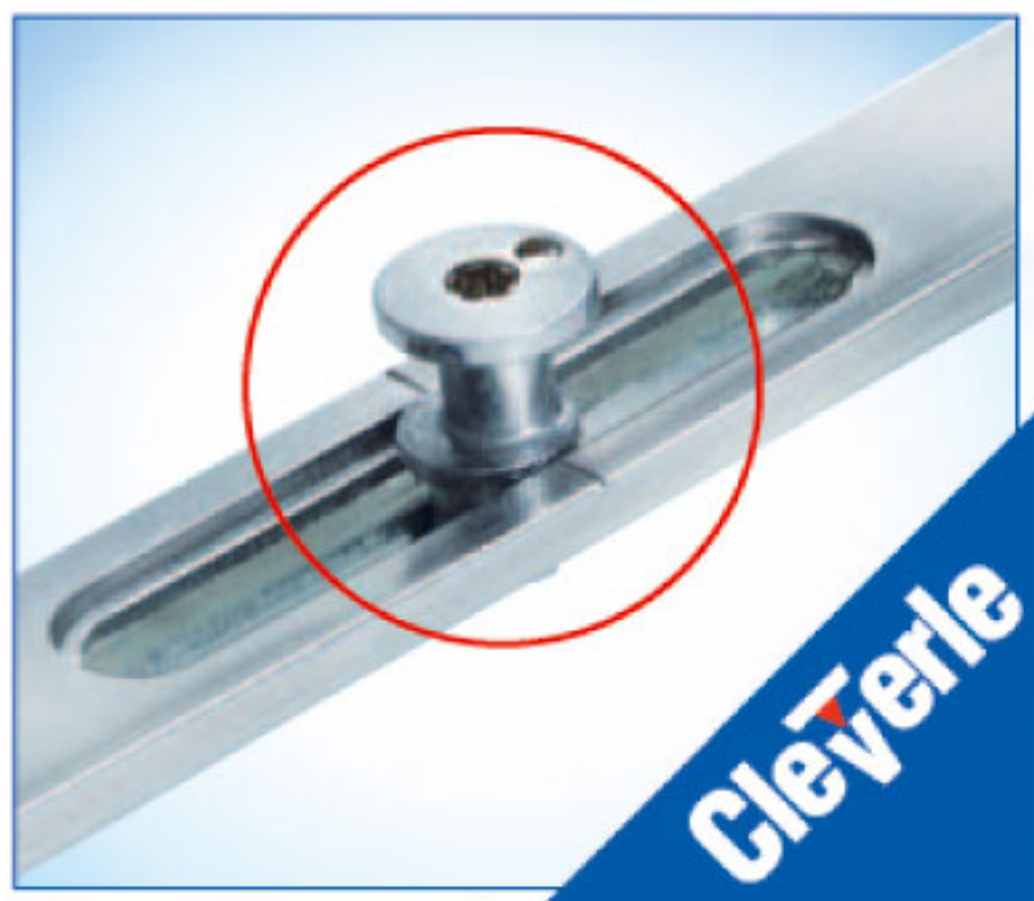
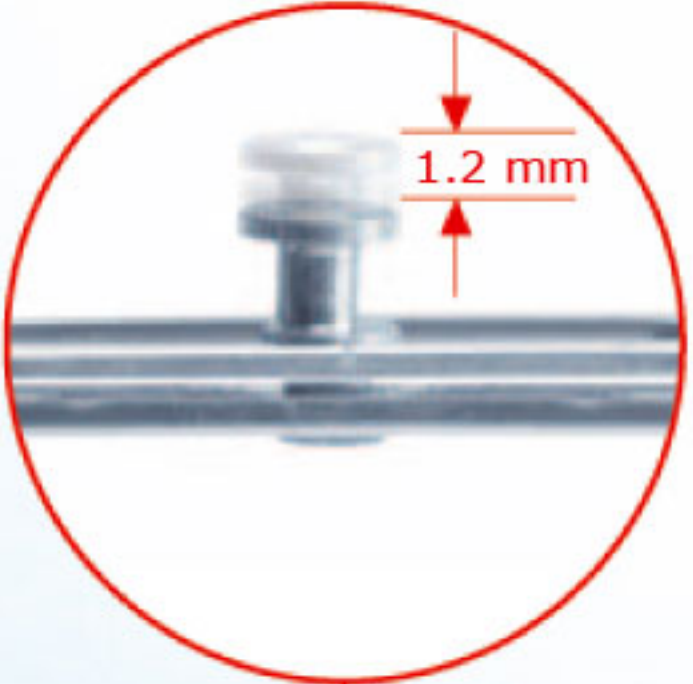


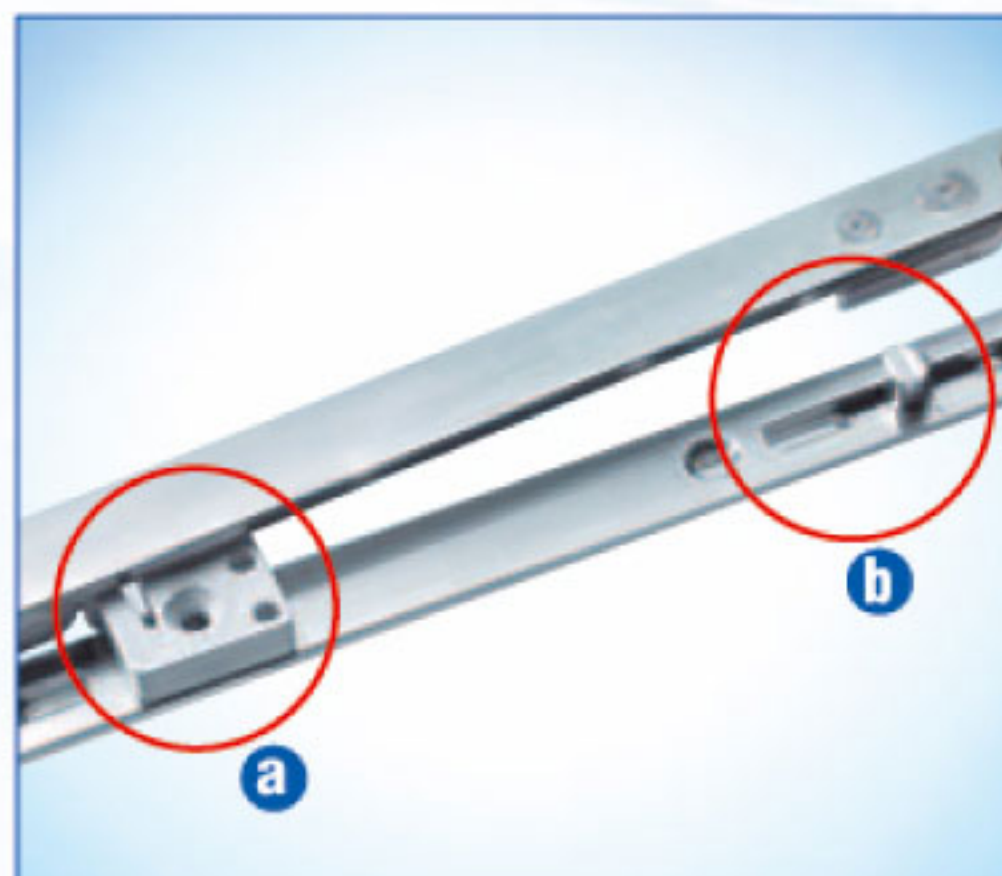
- 1 All locking points with automatic pin which adjust to rebate clearance.
- 2 Stay arm with multi-stage slit ventilation.
- 3 Clip connection of locking gear and stay arm connecting plate



1 It is all around

Automatic pin

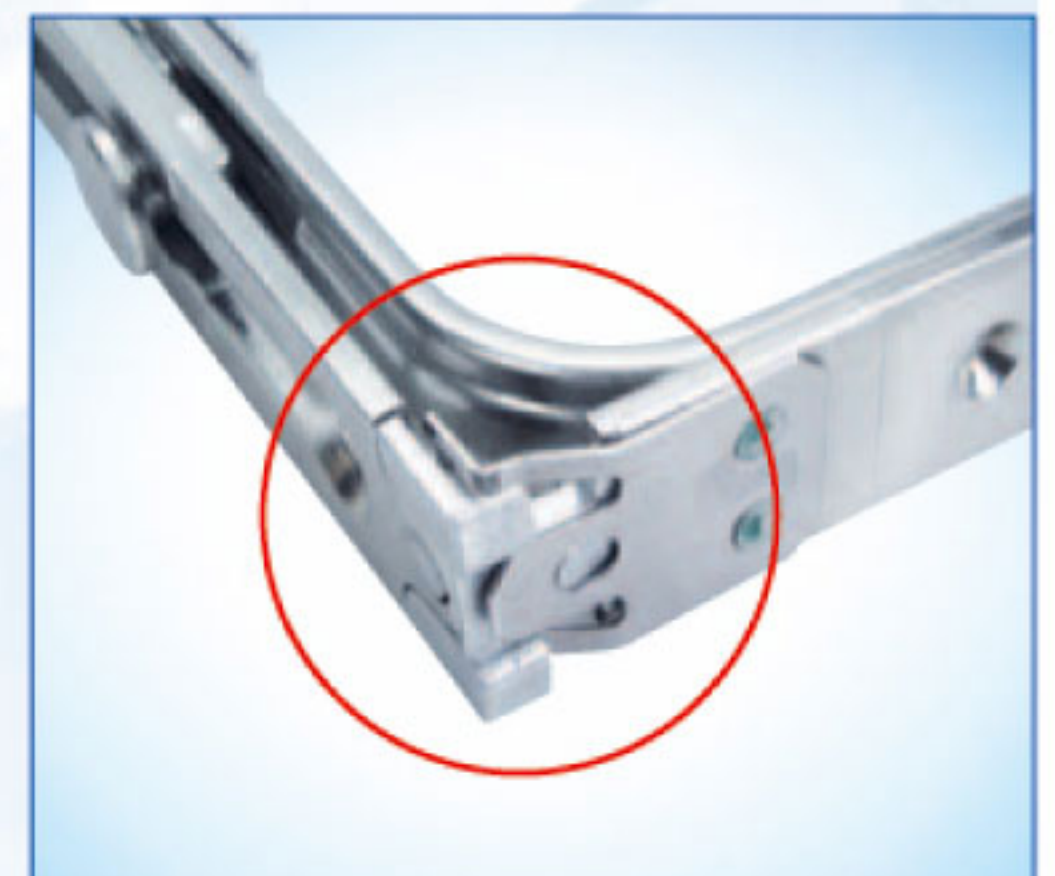
Cleverle



2 It fits

Ventilated stay arm connecting plate

a optional **b** standard



3 CLICK!

Clip connection of locking gear and stay arm connecting plate